

Service Schematics

NOKIA 7210 SUPERNOVA

RM-436

Introduction

IMPORTANT:

This document is intended for use by authorized NOKIA service centers only.

“Service Schematics” was created with focus on customer care.
The purpose of this document is to provide further technical repair information for NOKIA mobile phones on Level 3/4 service activities.
It contains additional information such as e.g. “Component finder”.

Saving process time and improving the repair quality is the aim of this document.
It is to be used additionally to the service manual and other training or service information such as Service Bulletins.

While every endeavour has been made to ensure the accuracy of this document, some errors may exist. If the reader finds any errors, NOKIA shall be notified in writing.

Please send E-Mail to: TrainingAndVendor.Development@nokia.com

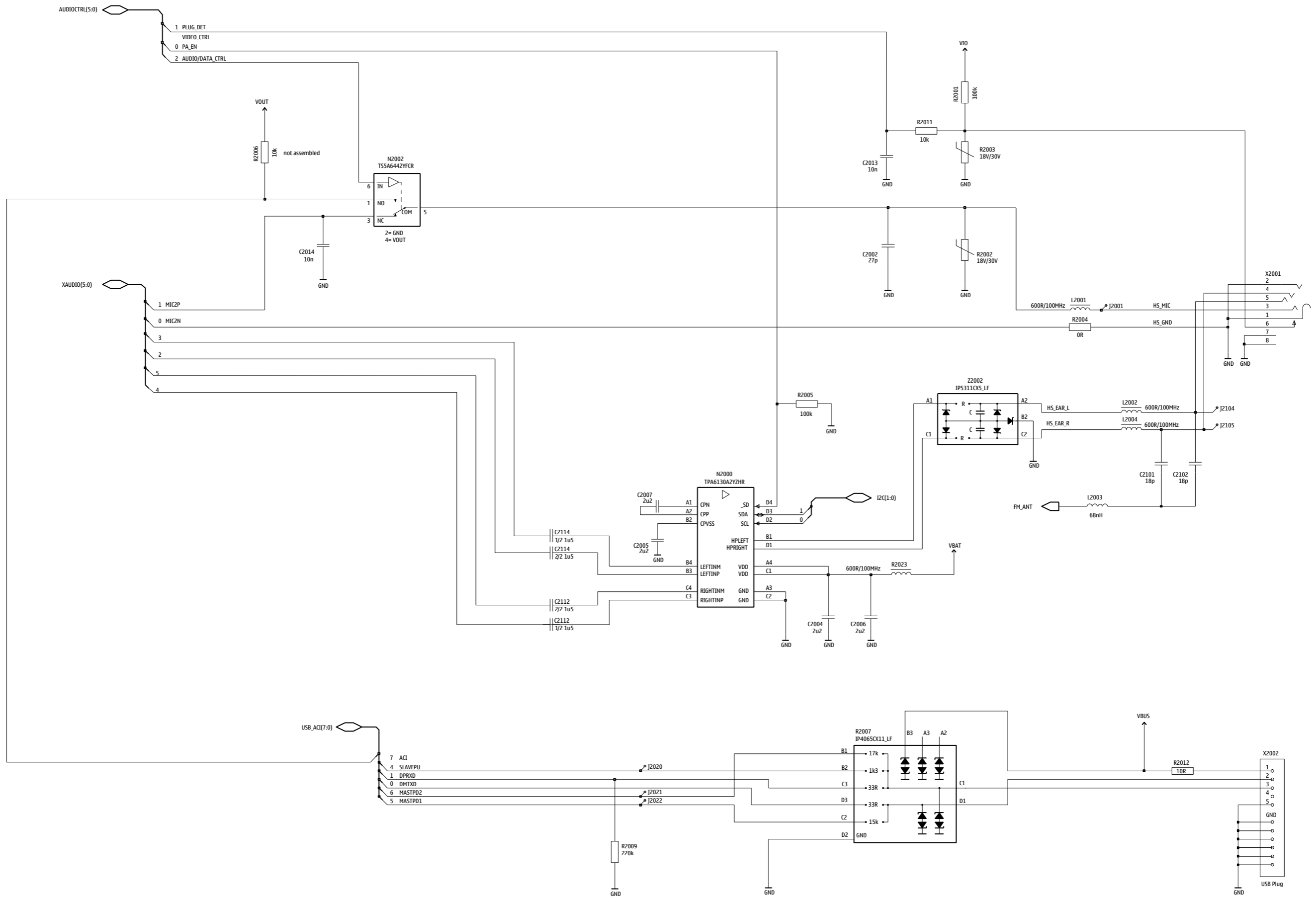


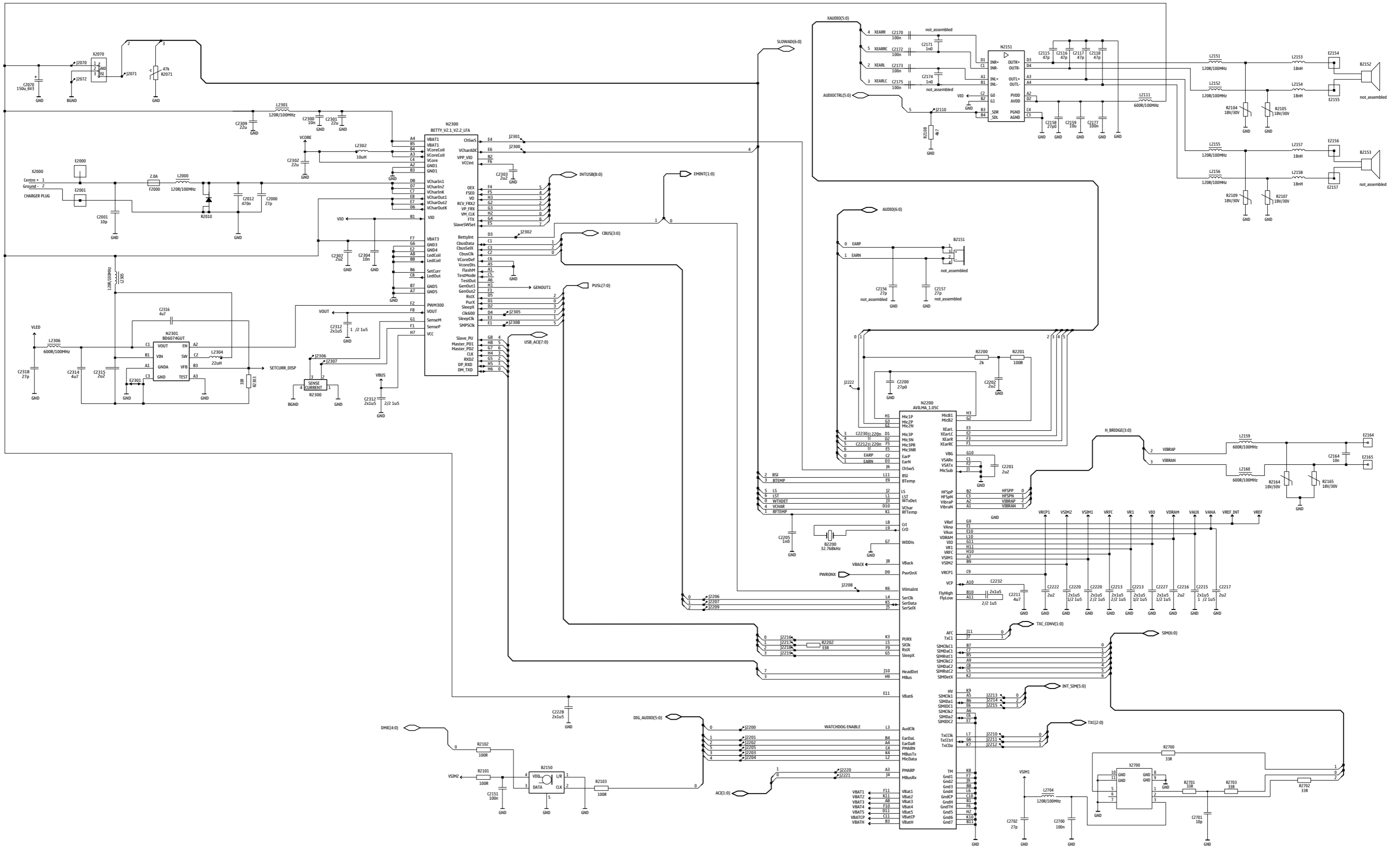
Table of Contents

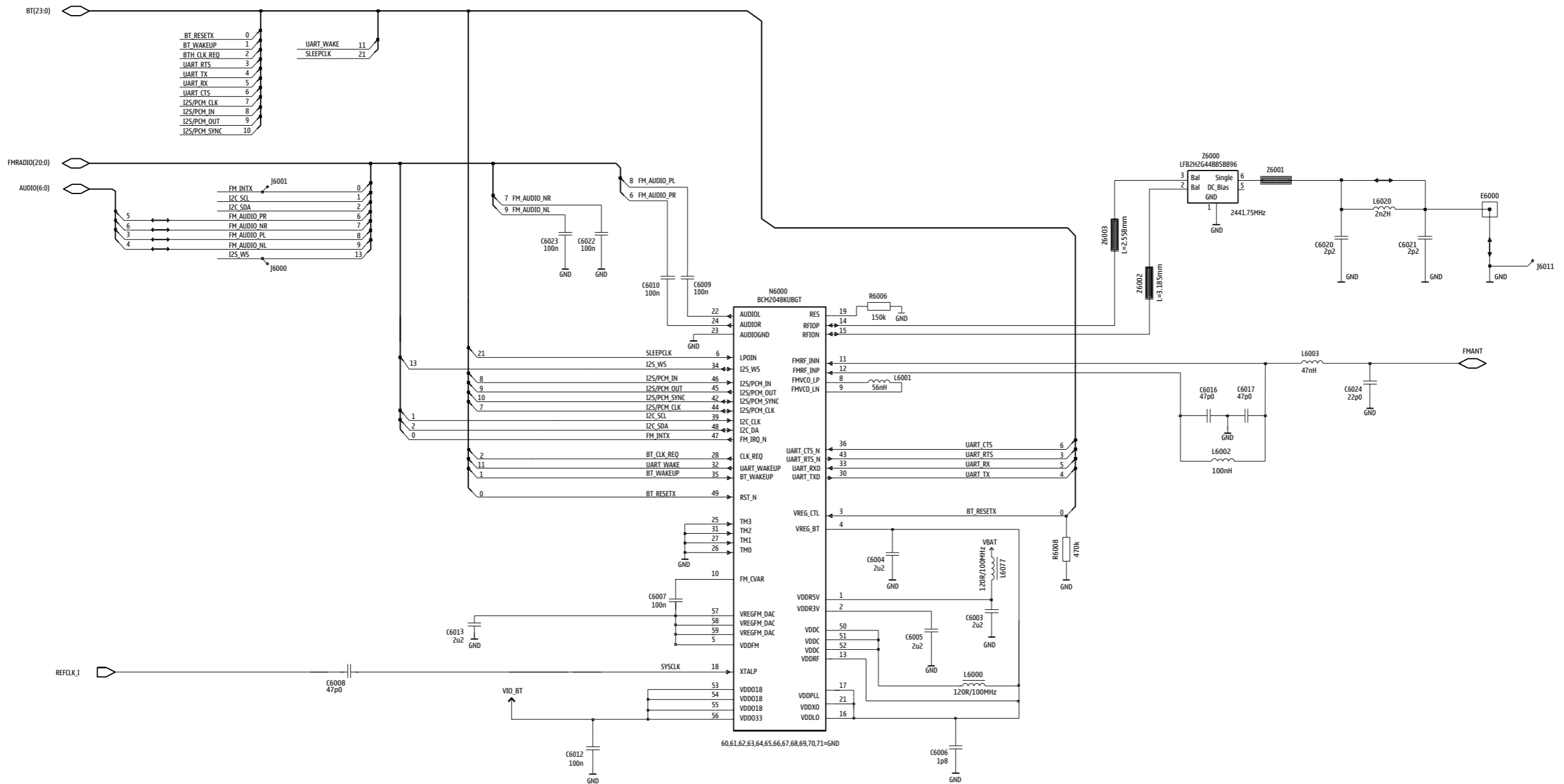
Front page	1
System & USB connector	2
Betty, AVilma, audio, SIM & battery	3
Bluetooth and FM radio	4
RAPS, MicroSD, Camera, UI	5
UI (keyboard)	6
RF part	7
Component finder	8

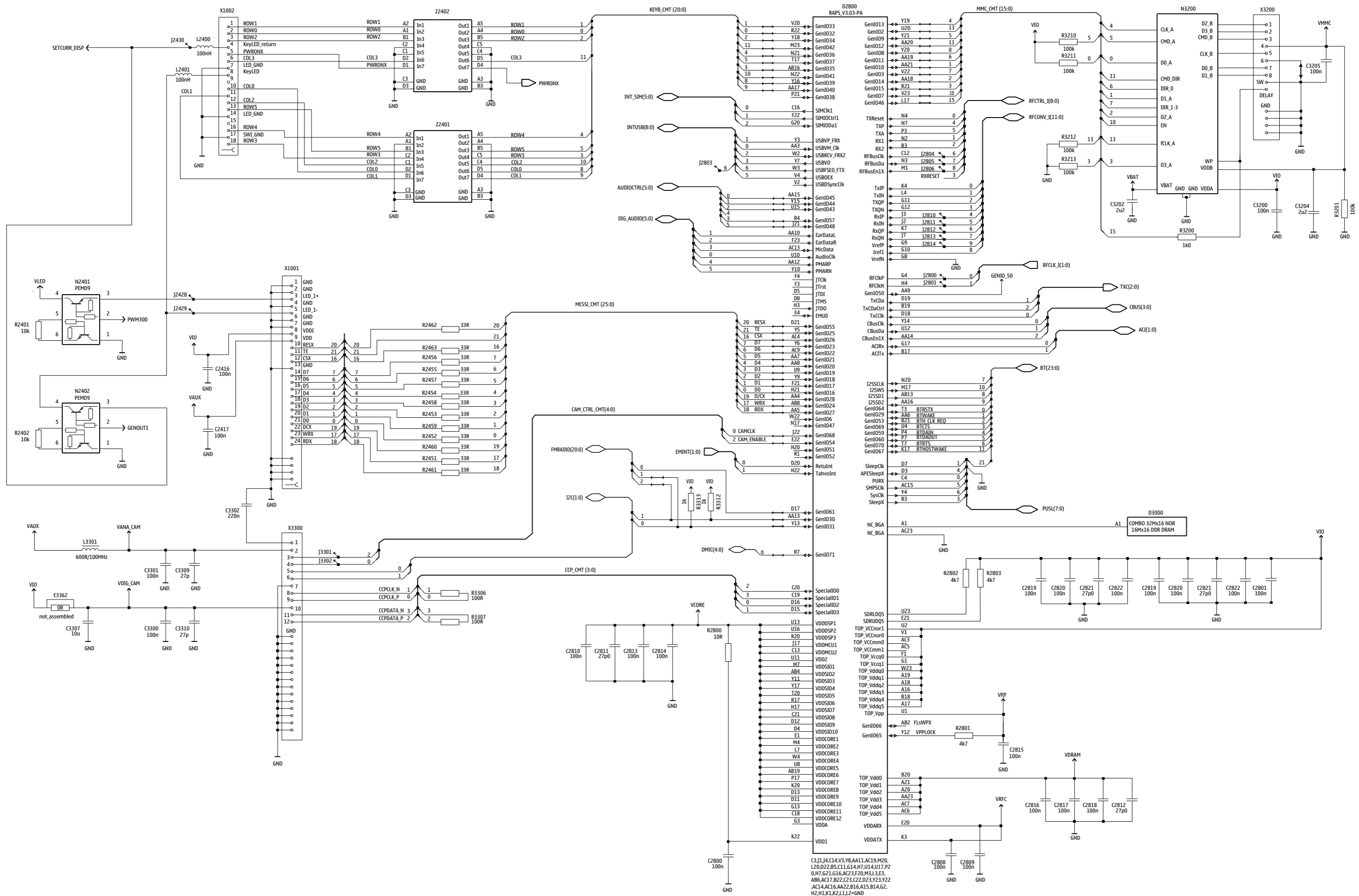
Copyright © NOKIA

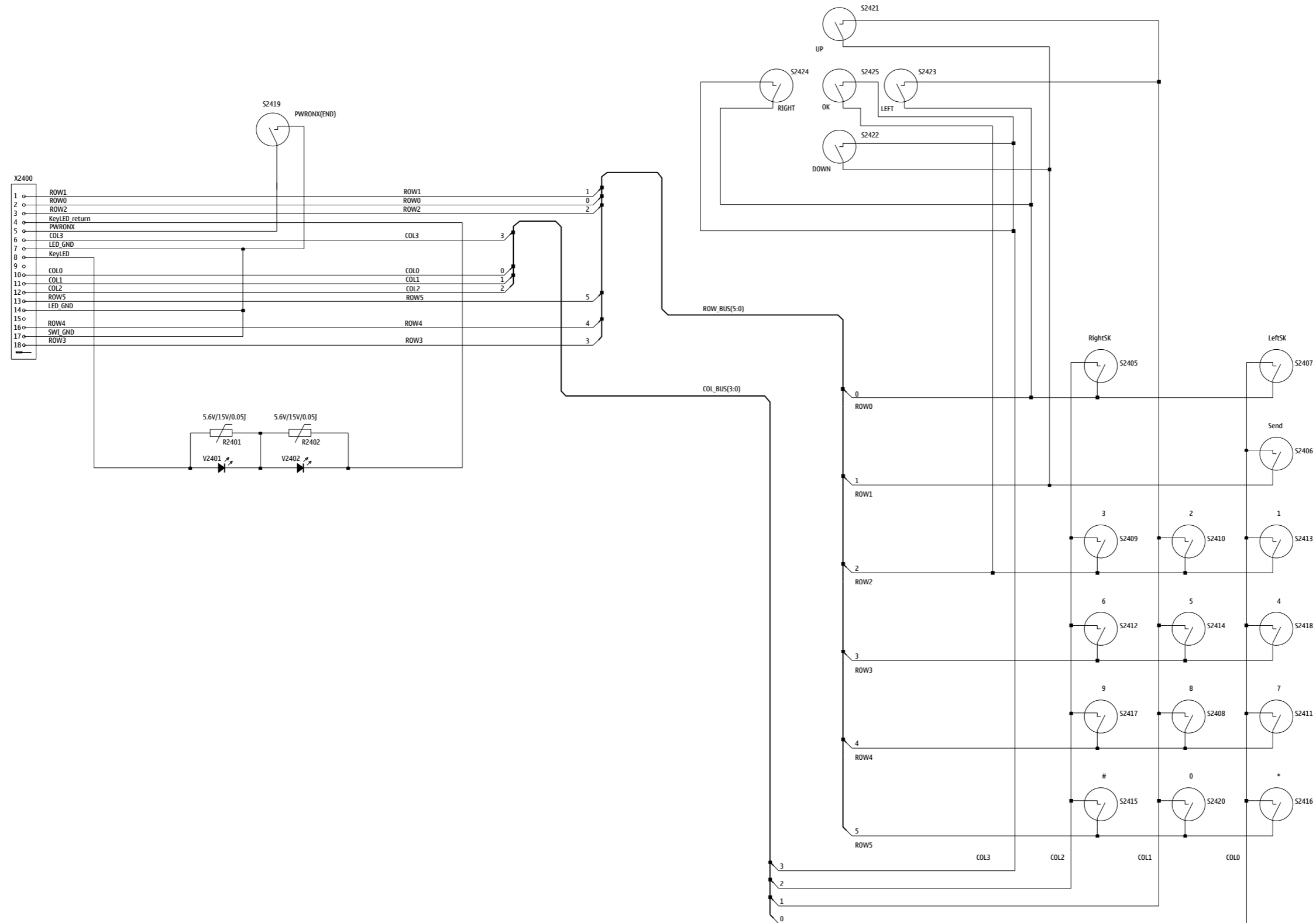
This material, including documentation and any related computer programs is protected by copyright, controlled by NOKIA. All rights are reserved. Copying, including reproducing, modifying, storing, adapting or translating any or all of this material requires the prior written consent of NOKIA. This material also contains company confidential information, which may not be disclosed to others without the prior written consent of NOKIA.

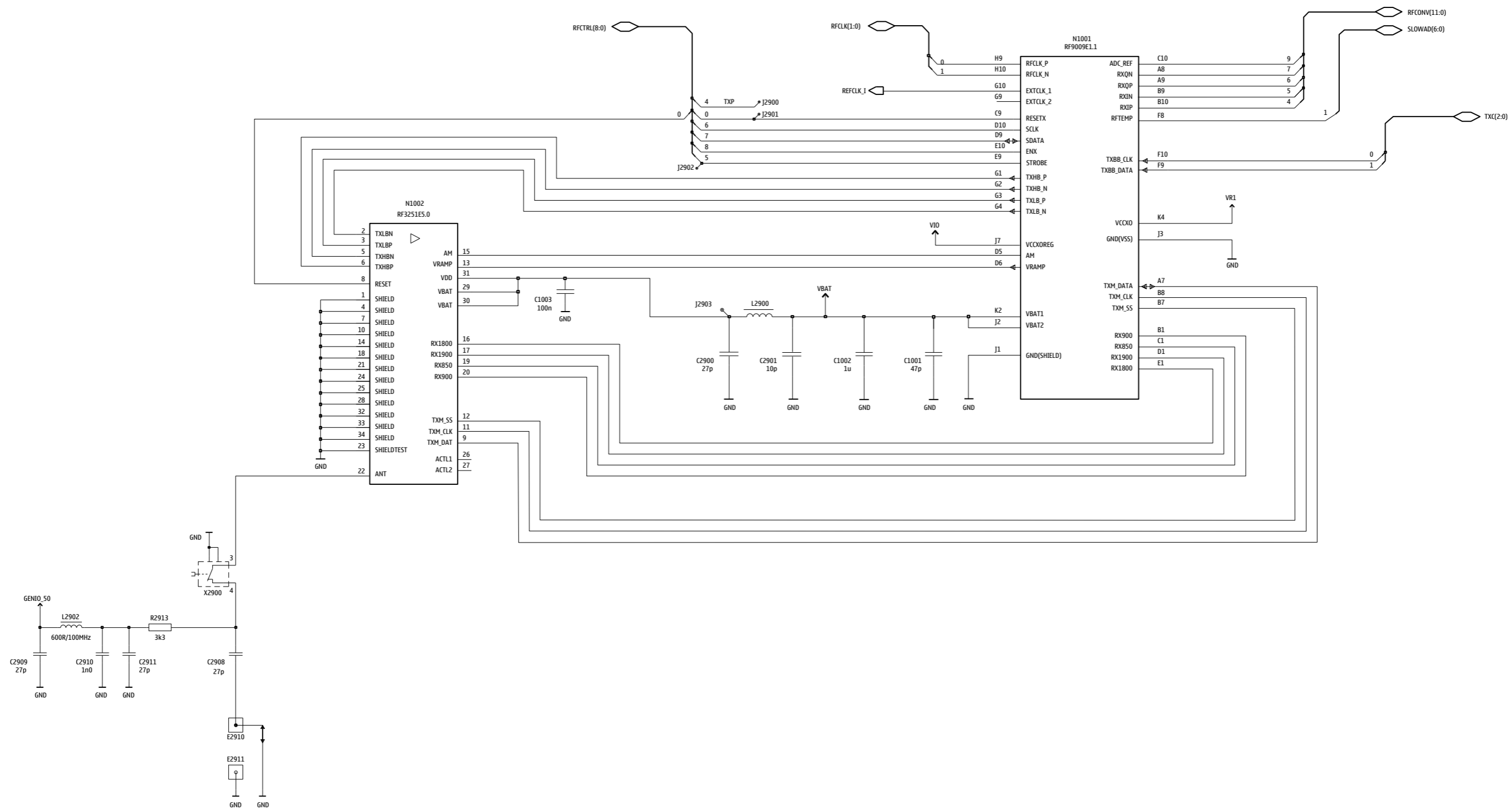












B	C225	H2	C3204	D5	L2155	C8	R2104	C8	X2060	T4	
B2150	C2	C2226	F4	C3205	E5	L2156	D8	R2105	C8	X2070	F7
B2151	T5	C2227	G3	C3300	R6	L2157	C8	R2107	D9	X2700	E6
B2152	B5	C2228	G3	C3301	S4	L2158	D8	R2108	H6	X2900	B7
B2153	D8	C2230	D2	C3302	R4	L2159	R4	R2109	C9	X3200	E3
B2200	G4	C2231	H3	C3307	T5	L2160	R4	R2164	S4	X3300	R5
C	C2232	H2	C3309	R4	L2202	H2	R2165	R4			
C1001	D5	C2300	E3	C3310	R6	L2205	H2	R2200	H4		
C1002	D5	C2301	E3	C6003	D3	L2301	E3	R2201	H3		
C1003	D4	C2302	E3	C6004	D3	L2302	F3	R2202	H4		
C2000	R7	C2303	F4	C6005	D3	L2304	E2	R2250	H4		
C2001	R7	C2304	F3	C6006	C4	L2305	E2	R2251	H4		
C2002	T6	C2307	E4	C6007	C3	L2306	E3	R2300	E7		
C2004	H8	C2309	G2	C6008	C4	L2400	C3	R2303	F2		
C2005	H8	C2312	F4	C6009	C4	L2401	C2	R2401	E4		
C2006	H7	C2314	G2	C6010	D4	L2704	E6	R2402	E3		
C2007	H8	C2315	F2	C6012	D3	L2900	F8	R2451	H5		
C2012	R7	C2316	F2	C6013	D4	L2902	E7	R2452	H5		
C2013	R6	C2318	E3	C6016	C3	L3301	R5	R2453	H5		
C2014	H5	C2416	T4	C6017	C2	L6000	D3	R2454	H5		
C2070	E8	C2417	R5	C6020	S8	L6001	C2	R2455	H5		
C2101	R8	C2700	E6	C6021	S9	L6002	C3	R2456	H6		
C2102	T7	C2701	D6	C6022	D3	L6003	B3	R2457	H6		
C2102	R8	C2702	H2	C6023	G3	L6020	S8	R2458	H6		
C2112	H7	C2800	G6	C6024	B2	L6077	D2	R2459	H6		
C2114	H7	C2801	E7	D	N			R2460	H6		
C2115	H6	C2802	G5	D2800	F6	N1001	C7	R2461	H6		
C2116	H6	C2803	E5	D3000	F6	N1002	C5	R2462	H5		
C2117	H6	C2804	E5	E	N2000	H8		R2463	H5		
C2118	H6	C2805	G6	E2000	R9	N2002	H5	R2700	D5		
C2151	D2	C2806	E6	E2001	R9	N2151	H6	R2701	D6		
C2156	T4	C2807	E7	E2154	A5	N2200	G3	R2702	D6		
C2157	T4	C2808	E6	E2155	C5	N2300	F3	R2703	D6		
C2158	H6	C2809	G6	E2156	C9	N2301	F2	R2800	G6		
C2159	H6	C2810	G7	E2157	D7	N2401	E4	R2801	E6		
C2164	R3	C2811	E5	E2164	S3	N2402	E4	R2802	G5		
C2170	H7	C2812	G7	E2165	R3	N3200	E5	R2803	G6		
C2171	H7	C2813	E7	E2910	A7	N6000	D3	R2913	B7		
C2172	H7	C2814	F4	E2911	B7	R		R3200	E6		
C2173	H7	C2815	E5	E6000	S9	R2001	R6	R3201	E5		
C2174	H7	C2816	G5	F	R2002	T6		R3210	E6		
C2175	H7	C2817	E5	F2000	R7	R2003	R6	R3211	E6		
C2177	H6	C2818	G7	G	R2004	S6		R3212	E6		
C2200	H3	C2819	E5	G2200	G8	R2005	H7	R3213	D6		
C2201	G4	C2820	E5	L	R2006	H5		R3306	F7		
C2202	H4	C2821	E7	L2000	R7	R2007	T7	R3307	G7		
C2205	H4	C2822	G5	L2001	T6	R2009	T7	R3312	H8		
C2211	G2	C2900	E8	L2002	R7	R2010	R7	R3313	H8		
C2212	D2	C2901	F8	L2003	R8	R2011	R6	R6006	C4		
C2213	G4	C2908	B7	L2004	R7	R2012	T5	R6008	C4		
C2215	G2	C2909	E7	L2111	H7	R2023	H7	X			
C2216	G4	C2910	B7	L2151	C8	R2071	R4	X1001	T3		
C2217	H3	C2911	B7	L2152	C8	R2101	D2	X1002	B3		
C2220	H2	C3200	E6	L2153	C7	R2102	D2	X2000	R9		
C2222	G3	C3202	E5	L2154	C7	R2103	D2	X2002	T5		

